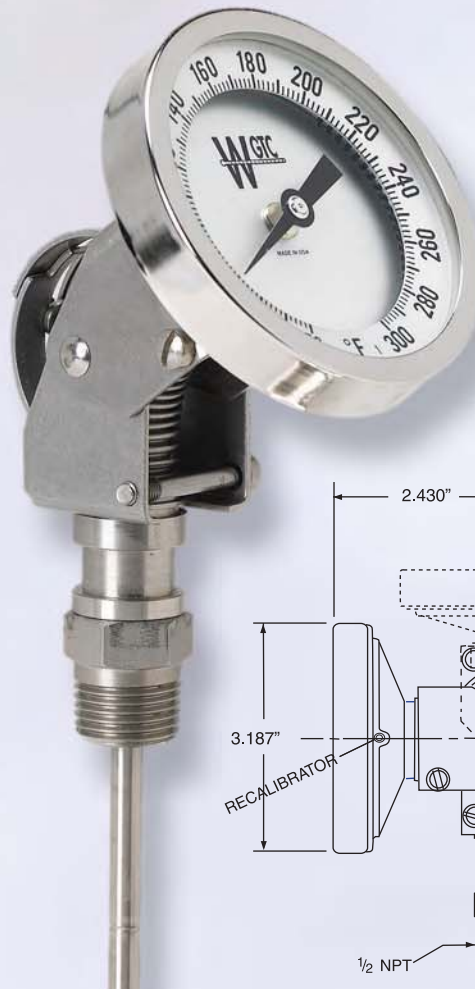


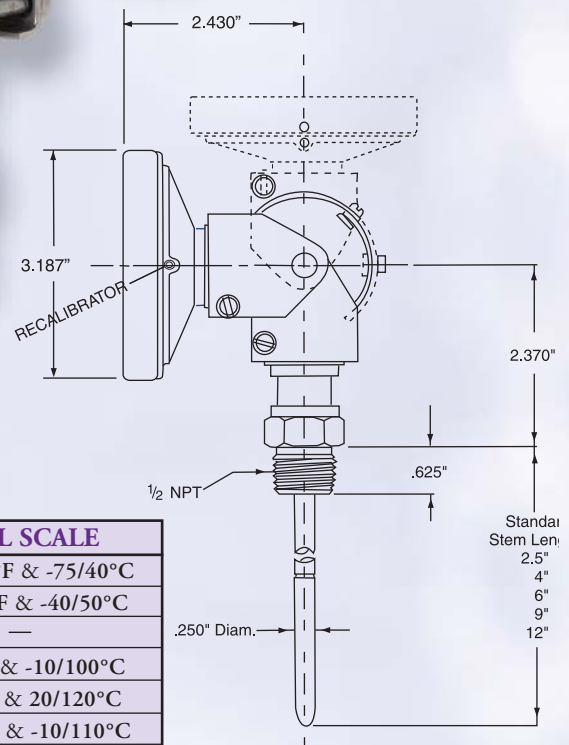
# 3" DIAL ADJUST-ANGLE BIMETAL MODEL 3AA

## STANDARD FEATURES

- 3" dial size
- All welded 304 stainless steel construction
- Silicone dampened bimetal element
- Easy external recalibration adjustment with 1/16" Allen Head wrench
- Anti-parallax dial
- Hermetically sealed per ASME B40.3
- Accurate to 1% per ASME B40.3 (for accurate reading thermometer must be immersed past groove on lower portion of stem)
- Over-range protection is 50% up to 500°F (10% above 500°F)
- Fully gasketed glass lens. Plastic or shatterproof lens is available.



◀ **MODEL 3AA**  
**3" Dial**  
5" dial available.  
See page 13.



See page 20 for thermowells.

## TEMPERATURE RANGES

CODE	FAHRENHEIT	CODE	CELSIUS	CODE	DUAL SCALE
01	-100/100°F	CZ	-50/100°C	DB	-100/100°F & -75/40°C
02	-40/120°F	CB	-50/50°C	DE	-40/120°F & -40/50°C
03	0/150°F	CE	-50/25°C	-	-
04	0/200°F	CF	-40/70°C	DF	0/200°F & -10/100°C
05	0/250°F	CG	-10/110°C	DG	0/250°F & 20/120°C
06	20/240°F	CK	0/50°C	DK	20/240°F & -10/110°C
07	25/125°F	CN	0/100°C	DN	25/125°F & 0/50°C
08	50/250°F	CP	0/150°C	-	-
09	50/300°F	CQ	0/200°C	DQ	50/300°F & 10/150°C
10	50/400°F	CR	0/250°C	DR	50/400°F & 0/200°C
11	50/500°F	CS	0/300°C	DS	50/500°F & 0/250°C
12	150/750°F	CT	100/400°C	DT	150/750°F & 50/400°C
13	*200/1000°F	CU	*100/550°C	DU	*200/1000°F & 100/550°C

\*Not recommended for continuous use above 800°F or 425°C

- Silicone filled models available for extreme vibration or low temperature application

## HOW TO ORDER - PLEASE SPECIFY THE FOLLOWING:

MODEL #	STEM LENGTH	RANGE	OPTIONS
<b>3AA</b>	<b>02</b> = 2 1/2" stem <b>04</b> = 4" stem <b>06</b> = 6" stem <b>09</b> = 9" stem <b>12</b> = 12" stem	<b>2 digit code</b> from tables	<b>AA</b> = Plastic Lens <b>UU</b> = Union Connection <b>FF</b> = Silicone Filled Case <b>SS</b> = Shatterproof Lens <b>BB</b> = 3/8" Diameter Stem

# 5" DIAL ADJUST-ANGLE BIMETAL MODEL 5AA

## STANDARD FEATURES

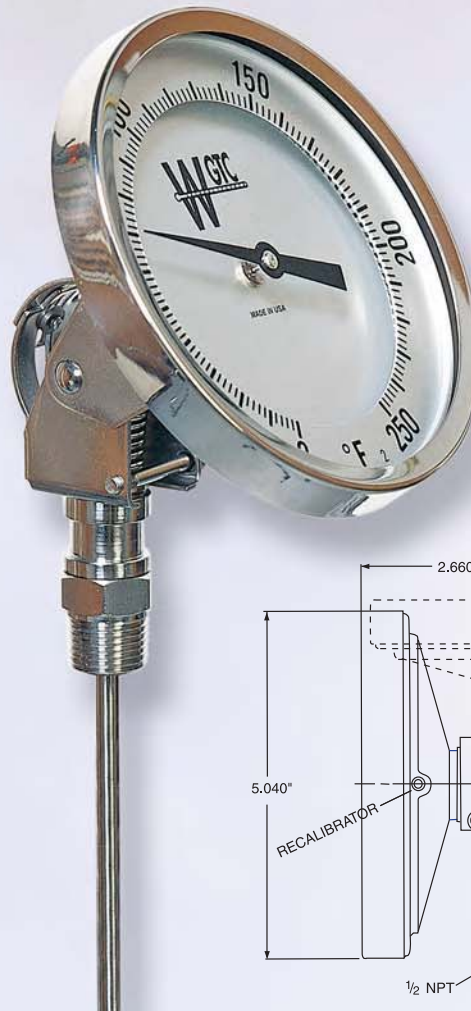
- 5" dial size
- All welded 304 stainless steel construction
- Silicone dampened bimetal element
- Easy external recalibration adjustment with 1/16" Allen Head wrench
- Anti-parallax dial
- Hermetically sealed per ASME B40.3
- Accurate to 1% per ASME B40.3 (for accurate reading thermometer must be immersed past groove on lower portion of stem)
- Over-range protection is 50% up to 500°F (10% above 500°F)
- Fully gasketed glass lens. Plastic or shatterproof lens is available.

See page 20 for thermowells.

## TEMPERATURE RANGES

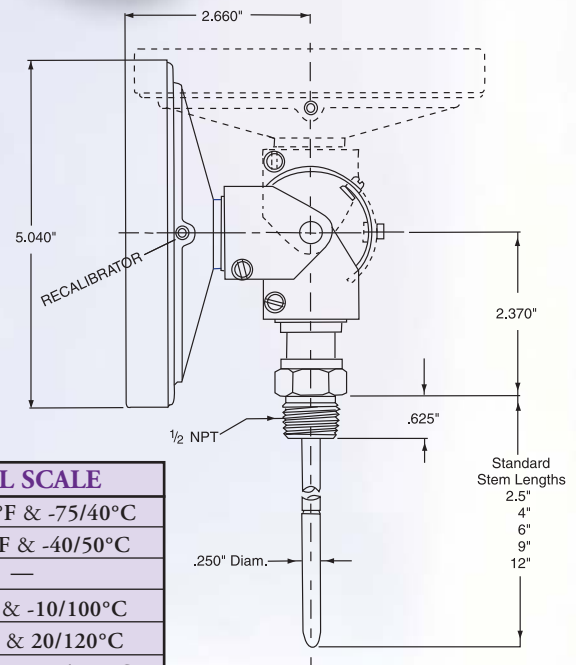
CODE	FAHRENHEIT	CODE	CELSIUS	CODE	DUAL SCALE
01	-100/100°F	CZ	-50/100°C	DB	-100/100°F & -75/40°C
02	-40/120°F	CB	-50/50°C	DE	-40/120°F & -40/50°C
03	0/150°F	CE	-50/25°C	-	-
04	0/200°F	CF	-40/70°C	DF	0/200°F & -10/100°C
05	0/250°F	CG	-10/110°C	DG	0/250°F & 20/120°C
06	20/240°F	CK	0/50°C	DK	20/240°F & -10/110°C
07	25/125°F	CN	0/100°C	DN	25/125°F & 0/50°C
08	50/250°F	CP	0/150°C	-	-
09	50/300°F	CQ	0/200°C	DQ	50/300°F & 10/150°C
10	50/400°F	CR	0/250°C	DR	50/400°F & 0/200°C
11	50/500°F	CS	0/300°C	DS	50/500°F & 0/250°C
12	150/750°F	CT	100/400°C	DT	150/750°F & 50/400°C
13	*200/1000°F	CU	*100/550°C	DU	*200/1000°F & 100/550°C

\*Not recommended for continuous use above 800°F or 425°C



## ◀ MODEL 5AA 5" Dial

3" dial available.  
See page 12.



- Silicone filled models available for extreme vibration or low temperature application

### HOW TO ORDER - PLEASE SPECIFY THE FOLLOWING:

MODEL #	STEM LENGTH	RANGE	OPTIONS
<b>5AA</b>	02 = 2 1/2" stem 04 = 4" stem 06 = 6" stem 09 = 9" stem 12 = 12" stem	2 digit code from tables	AA = Plastic Lens UU = Union Connection FF = Silicone Filled Case SS = Shatterproof Lens BB = 3/8" Diameter Stem

# 5" DIAL ADJUST-ANGLE BIMETAL "E" SERIES - MODEL 5AAE

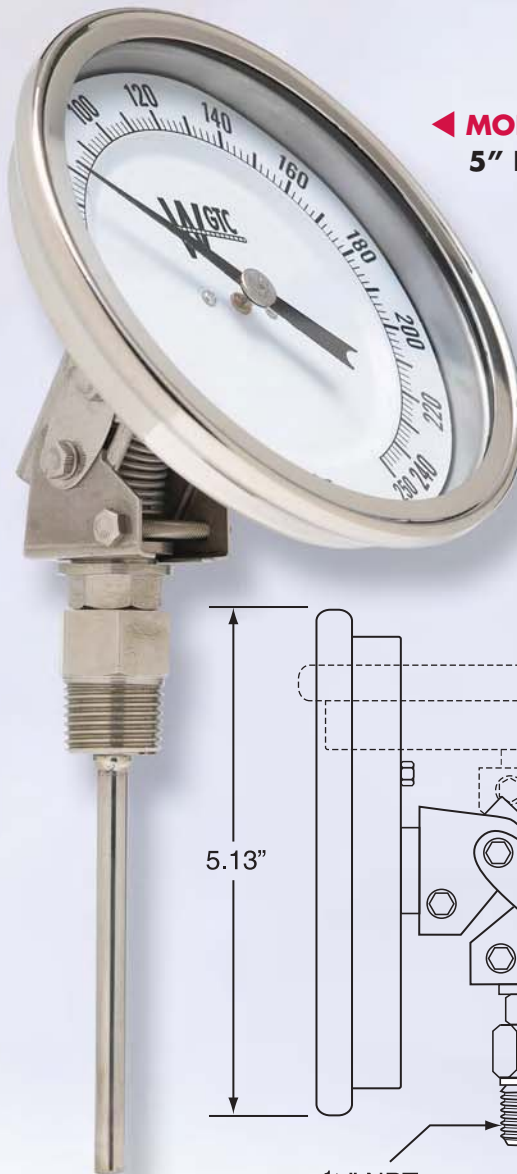
## STANDARD FEATURES

- 5" dial size
- 2 1/2", 4" and 6" stems only
- All welded 304 stainless steel construction
- Silicone dampened bimetal element
- Sealed against dust, dirt and moisture
- Easy external recalibration adjustment
- Anti-parallax dial
- Accurate to 1% per ASME B40.3
- Over-range protection is 50% up to 500°F
- Fully gasketed glass lens

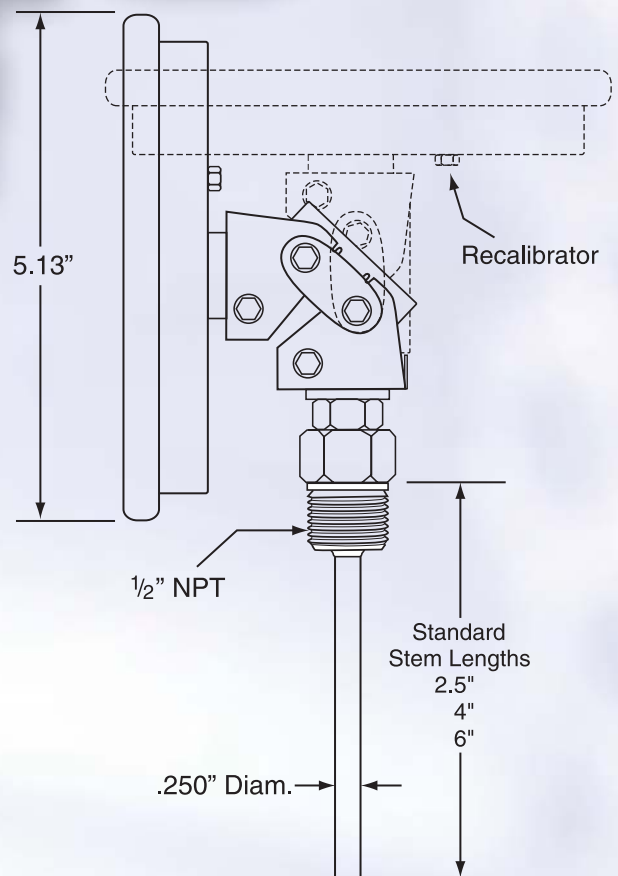
See page 20 for thermowells.

## TEMPERATURE RANGES

CODE	FAHRENHEIT
02	-40/120°F
03	0/150°F
04	0/200°F
05	0/250°F
06	20/240°F
07	25/125°F
09	50/300°F
10	50/400°F
11	50/500°F



◀ **MODEL 5AAE**  
**5" Dial**



### HOW TO ORDER - PLEASE SPECIFY THE FOLLOWING:

MODEL #	STEM LENGTH	"E" SERIES	RANGE
<b>5AA</b>	<b>02</b> = 2 1/2" stem <b>06</b> = 6" stem <b>04</b> = 4" stem	<b>E</b>	<b>2 digit code</b> from table

# 3" DIAL BOTTOM CONNECTED BIMETAL MODEL 3BM

## STANDARD FEATURES

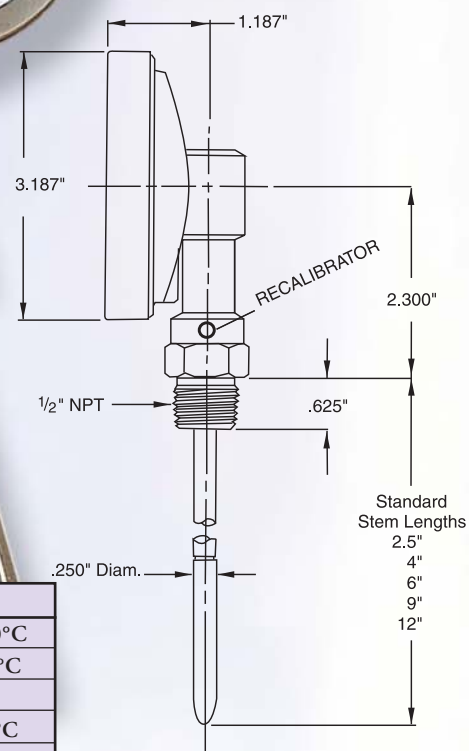
- 3" dial size
- All welded 304 stainless steel construction
- Silicone dampened bimetal element
- Easy external recalibration adjustment with 3/32" Allen Head wrench
- Anti-parallax dial
- Hermetically sealed per ASME B40.3
- Accurate to 1% per ASME B40.3 (for accurate reading thermometer must be immersed past groove on lower portion of stem)
- Over-range protection is 50% up to 500°F (10% above 500°F)
- Fully gasketed glass lens. Plastic or shatterproof lens is available.

See page 20 for thermowells.



## MODEL 3BM 3" Dial

5" dial available.  
See page 16.



## TEMPERATURE RANGES

CODE	FAHRENHEIT	CODE	CELSIUS	CODE	DUAL SCALE
01	-100/100°F	CZ	-50/100°C	DB	-100/100°F & -75/40°C
02	-40/120°F	CB	-50/50°C	DE	-40/120°F & -40/50°C
03	0/150°F	CE	-50/25°C	-	—
04	0/200°F	CF	-40/70°C	DF	0/200°F & -10/100°C
05	0/250°F	CG	-10/110°C	DG	0/250°F & 20/120°C
06	20/240°F	CK	0/50°C	DK	20/240°F & -10/110°C
07	25/125°F	CN	0/100°C	DN	25/125°F & 0/50°C
08	50/250°F	CP	0/150°C	-	—
09	50/300°F	CQ	0/200°C	DQ	50/300°F & 10/150°C
10	50/400°F	CR	0/250°C	DR	50/400°F & 0/200°C
11	50/500°F	CS	0/300°C	DS	50/500°F & 0/250°C
12	150/750°F	CT	100/400°C	DT	150/750°F & 50/400°C
13	*200/1000°F	CU	*100/550°C	DU	*200/1000°F & 100/550°C

\*Not recommended for continuous use above 800°F or 425°C

## HOW TO ORDER - PLEASE SPECIFY THE FOLLOWING:

MODEL #	STEM LENGTH	RANGE	OPTIONS
<b>3BM</b>	<b>02</b> = 2 1/2" stem <b>09</b> = 9" stem <b>04</b> = 4" stem <b>12</b> = 12" stem <b>06</b> = 6" stem	<b>2 digit code</b> from tables	<b>AA</b> = Plastic Lens <b>SS</b> = Shatterproof Lens <b>UU</b> = Union Connection <b>BB</b> = 3/8" Diameter Stem <b>FF</b> = Silicone Filled Case

# 5" DIAL BOTTOM CONNECTED BIMETAL MODEL 5BM

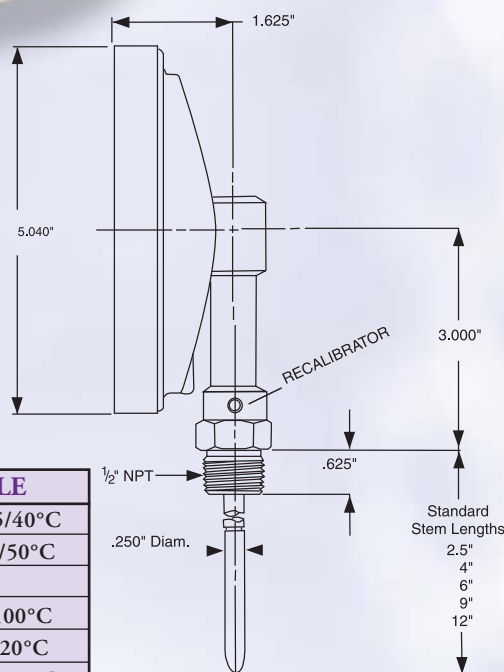
## STANDARD FEATURES

- 5" dial size
- All welded 304 stainless steel construction
- Silicone dampened bimetal element
- Easy external recalibration adjustment with 3/32" Allen Head wrench
- Anti-parallax dial
- Hermetically sealed per ASME B40.3
- Accurate to 1% per ASME B40.3 (for accurate reading thermometer must be immersed past groove on lower portion of stem)
- Over-range protection is 50% up to 500°F (10% above 500°F)
- Fully gasketed glass lens. Plastic or shatterproof lens is available.



## ◀ MODEL 5BM 5" Dial

3" dial available.  
See page 15.



See page 20 for thermowells.

## TEMPERATURE RANGES

CODE	FAHRENHEIT
01	-100/100°F
02	-40/120°F
03	0/150°F
04	0/200°F
05	0/250°F
06	20/240°F
07	25/125°F
08	50/250°F
09	50/300°F
10	50/400°F
11	50/500°F
12	150/750°F
13	*200/1000°F

CODE	CELSIUS
CZ	-50/100°C
CB	-50/50°C
CE	-50/25°C
CF	-40/70°C
CG	-10/110°C
CK	0/50°C
CN	0/100°C
CP	0/150°C
CQ	0/200°C
CR	0/250°C
CS	0/300°C
CT	100/400°C
CU	*100/550°C

CODE	DUAL SCALE
DB	-100/100°F & -75/40°C
DE	-40/120°F & -40/50°C
-	-
DF	0/200°F & -10/100°C
DG	0/250°F & 20/120°C
DK	20/240°F & -10/110°C
DN	25/125°F & 0/50°C
-	-
DQ	50/300°F & 10/150°C
DR	50/400°F & 0/200°C
DS	50/500°F & 0/250°C
DT	150/750°F & 50/400°C
DU	*200/1000°F & 100/550°C

- Silicone filled models available for extreme vibration or low temperature application

\*Not recommended for continuous use above 800°F or 425°C

HOW TO ORDER - PLEASE SPECIFY THE FOLLOWING:			
MODEL #	STEM LENGTH	RANGE	OPTIONS
<b>5BM</b>	02 = 2 1/2" stem 04 = 4" stem 06 = 6" stem 09 = 9" stem 12 = 12" stem	2 digit code from tables	AA = Plastic Lens UU = Union Connection FF = Silicone Filled Case SS = Shatterproof Lens BB = 3/8" Diameter Stem

# 3" DIAL BACK CONNECTED BIMETAL MODEL 3BK

## STANDARD FEATURES

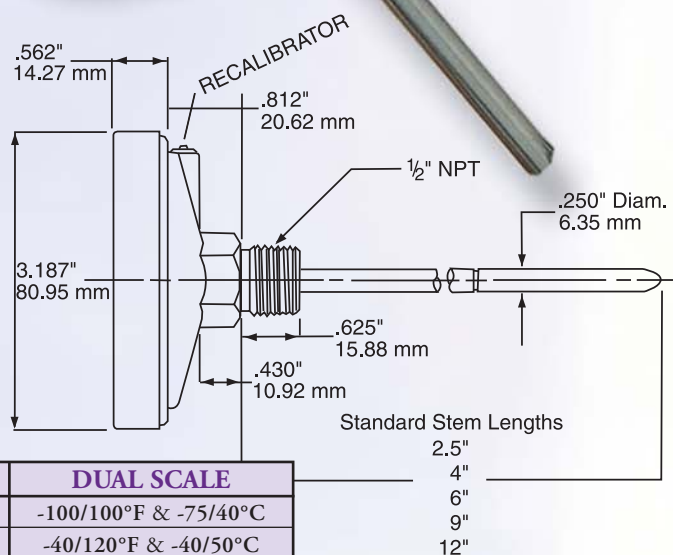
- 3" dial size
- All welded 304 stainless steel construction
- Silicone dampened bimetal element
- Easy external recalibration adjustment with 1/16" Allen Head wrench
- Anti-parallax dial
- Hermetically sealed per ASME B40.3
- Accurate to 1% per ASME B40.3 (for accurate reading thermometer must be immersed past groove on lower portion of stem)
- Over-range protection is 50% up to 500°F (10% above 500°F)
- Fully gasketed glass lens. Plastic or shatterproof lens is available.

See page 20 for thermowells.



◀ **MODEL 3BK**  
**3" Dial**

5" dial available.  
See page 19.



## TEMPERATURE RANGES

CODE	FAHRENHEIT
01	-100/100°F
02	-40/120°F
03	0/150°F
04	0/200°F
05	0/250°F
06	20/240°F
07	25/125°F
08	50/250°F
09	50/300°F
10	50/400°F
11	50/500°F
12	150/750°F
13	*200/1000°F

CODE	CELSIUS
CZ	-50/100°C
CB	-50/50°C
CE	-50/25°C
CF	-40/70°C
CG	-10/110°C
CK	0/50°C
CN	0/100°C
CP	0/150°C
CQ	0/200°C
CR	0/250°C
CS	0/300°C
CT	100/400°C
CU	*100/550°C

CODE	DUAL SCALE
DB	-100/100°F & -75/40°C
DE	-40/120°F & -40/50°C
-	-
DF	0/200°F & -10/100°C
DG	0/250°F & 20/120°C
DK	20/240°F & -10/110°C
DN	25/125°F & 0/50°C
-	-
DQ	50/300°F & 10/150°C
DR	50/400°F & 0/200°C
DS	50/500°F & 0/250°C
DT	150/750°F & 50/400°C
DU	*200/1000°F & 100/550°C

- Silicone filled models available for extreme vibration or low temperature application

- 3/8" Diameter stem available

\*Not recommended for continuous use above 800°F or 425°C

### HOW TO ORDER - PLEASE SPECIFY THE FOLLOWING:

MODEL #	STEM LENGTH	RANGE	OPTIONS
<b>3BK</b>	02 = 2 1/2" stem 04 = 4" stem 06 = 6" stem 09 = 9" stem 12 = 12" stem	2 digit code from tables	AA = Plastic Lens UU = Union Connection FF = Silicone Filled Case SS = Shatterproof Lens BB = 3/8" Diameter Stem MA = Max. and min. hands MO = Max. or min. hand

# 3" DIAL BACK CONNECTED BIMETAL "E" SERIES - MODEL 3BKE

## STANDARD FEATURES

- 3" dial size
- 2 1/2", 4" and 6" stems only
- All welded 304 stainless steel construction
- Silicone dampened bimetal element
- Accurate to 1% per ASME B40.3
- External recalibration adjustment
- Anti-parallax dial
- Sealed to exclude dust, dirt, and moisture
- Over-range protection is 50% up to 500°F (10% above 500F)
- Fully gasketed glass lens

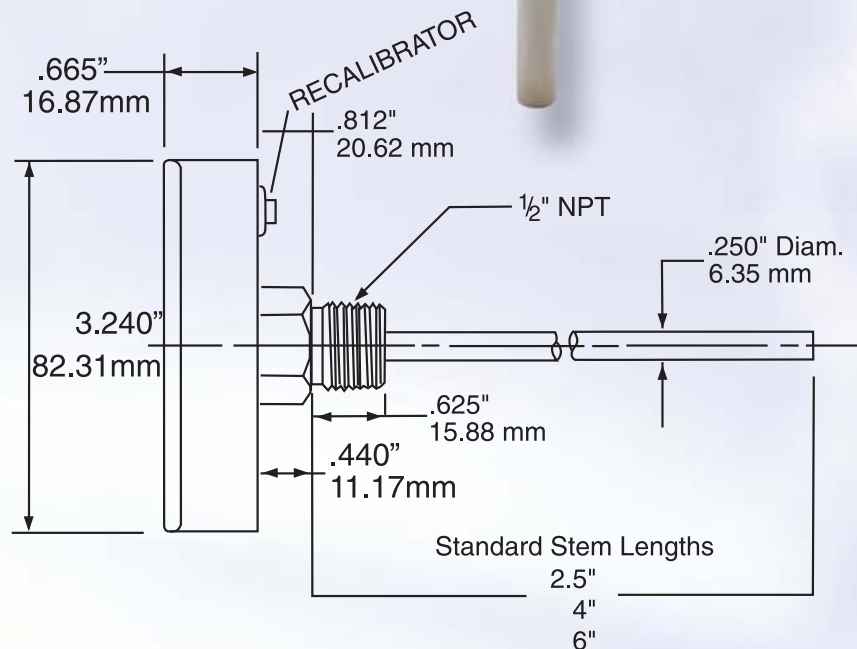
See page 20 for thermowells.



**MODEL 3BKE ▶**  
**3" Dial**

## TEMPERATURE RANGES

CODE	FAHRENHEIT
02	-40/120°F
03	0/150°F
04	0/200°F
05	0/250°F
06	20/240°F
07	25/125°F
09	50/300°F
10	50/400°F
11	50/500°F



### HOW TO ORDER - PLEASE SPECIFY THE FOLLOWING:

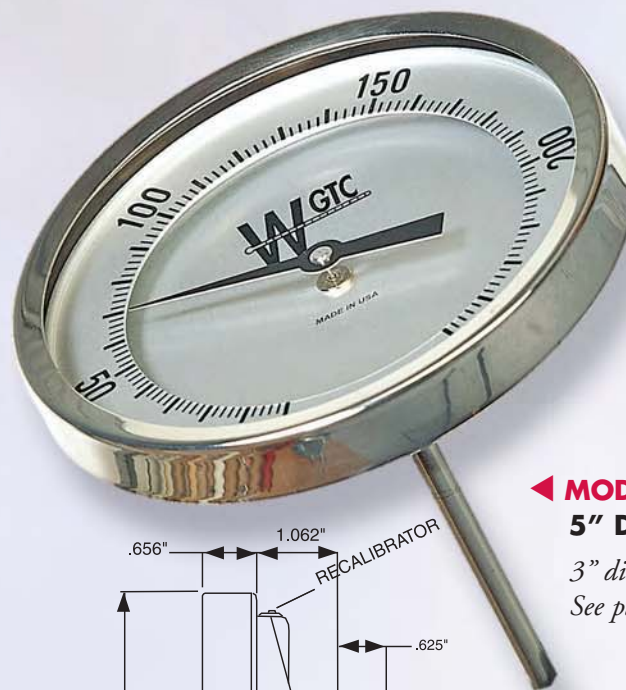
MODEL #	STEM LENGTH	"E" SERIES	RANGE
<b>3BK</b>	02 = 2 1/2" stem 04 = 4" stem 06 = 6" stem	<b>E</b>	<b>2 digit code</b> from table

# 5" DIAL BACK CONNECTED BIMETAL MODEL 5BK

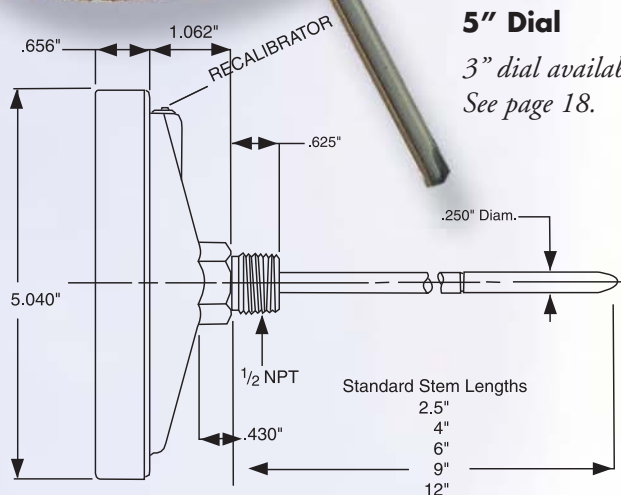
## STANDARD FEATURES

- 5" dial size
- All welded stainless steel construction
- Silicone dampened bimetal element
- Easy external recalibration adjustment with 1/16" Allen Head wrench
- Anti-parallax dial
- Hermetically sealed per ASME B40.3
- Accurate to 1% per ASME B40.3 (for accurate reading thermometer must be immersed past groove on lower portion of stem)
- Over-range protection is 50% up to 500°F (10% above 500°F)
- Fully gasketed glass lens. Plastic or shatterproof lens is available.

See page 20 for thermowells.



◀ **MODEL 5BK**  
**5" Dial**  
3" dial available.  
See page 18.



## TEMPERATURE RANGES

CODE	FAHRENHEIT
01	-100/100°F
02	-40/120°F
03	0/150°F
04	0/200°F
05	0/250°F
06	20/240°F
07	25/125°F
08	50/250°F
09	50/300°F
10	50/400°F
11	50/500°F
12	150/750°F
13	*200/1000°F

CODE	CELSIUS
CZ	-50/100°C
CB	-50/50°C
CE	-50/25°C
CF	-40/70°C
CG	-10/110°C
CK	0/50°C
CN	0/100°C
CP	0/150°C
CQ	0/200°C
CR	0/250°C
CS	0/300°C
CT	100/400°C
CU	*100/550°C

CODE	DUAL SCALE
DB	-100/100°F & -75/40°C
DE	-40/120°F & -40/50°C
-	—
DF	0/200°F & -10/100°C
DG	0/250°F & 20/120°C
DK	20/240°F & -10/110°C
DN	25/125°F & 0/50°C
-	—
DQ	50/300°F & 10/150°C
DR	50/400°F & 0/200°C
DS	50/500°F & 0/250°C
DT	150/750°F & 50/400°C
DU	*200/1000°F & 100/550°C

- Silicone filled models available for extreme vibration or low temperature application

\*Not recommended for continuous use above 800°F or 425°C

HOW TO ORDER - PLEASE SPECIFY THE FOLLOWING:			
MODEL #	STEM LENGTH	RANGE	OPTIONS
<b>5BK</b>	<b>02</b> = 2 1/2" stem <b>09</b> = 9" stem <b>04</b> = 4" stem <b>12</b> = 12" stem <b>06</b> = 6" stem	<b>2 digit code</b> from tables	<b>AA</b> = Plastic Lens <b>BB</b> = 3/8" Diameter Stem <b>UU</b> = Union Connection <b>MA</b> = Max. and min. hands <b>FF</b> = Silicone Filled Case <b>MO</b> = Max. or min. hand <b>SS</b> = Shatterproof Lens